



DEGO

Definition of Sound

SPECIALLY COATED PAPER CONE DRIVER

Owner's manual for the Woofer set

ST 650MW

STARLINE SERIES

Designed by German engineers, manufactured in Germany



Speaker Specification

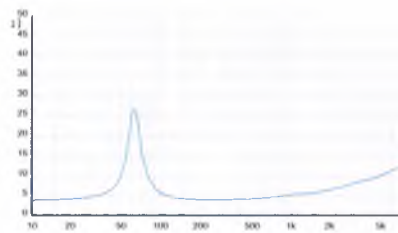
DC resistance	Re	3.4	Ω
Nominal impedance	Zn	4	Ω
Voice coil inductance	Le	0.24	mH
Voice coil diameter		25	mm
Voice coil height		10	mm
Height of gap		5	mm
Linear excursion		± 2.5	mm
Max. mech. excursion		± 10	mm

Frequency response [1W/1m]



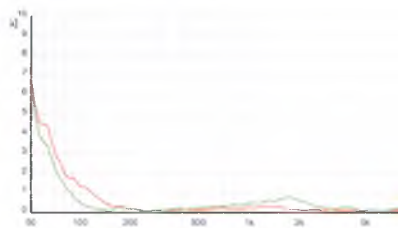
Resonance frequency	fs	60	Hz
Mechanical Q factor	Qms	6.9	
Electrical Q factor	Qes	0.8	
Total Q factor	Qt	0.7	

Impedance



Moving mass	Mms	11.0	g
Effective piston area	Sd	135	cm ²
Mechanical Resistance	Rms	0.60	kg/s
Compliance	Cms	0.65	mm/N
Force factor	Bl	4.2	Tm
Equivalent volume	Vas	16.8	dm ³
Efficiency		0.41	%
SPL 1W/1m		88	dB
SPL 2,83V/1m		92	dB

Harmonic Distortion [1W/1m]



GENERAL INFORMATION

Congratulations!

You have just purchased a DEGO Midwoofer set made in Germany by Ehmann & Partner.

The midwoofer features a specially coated paper cone..

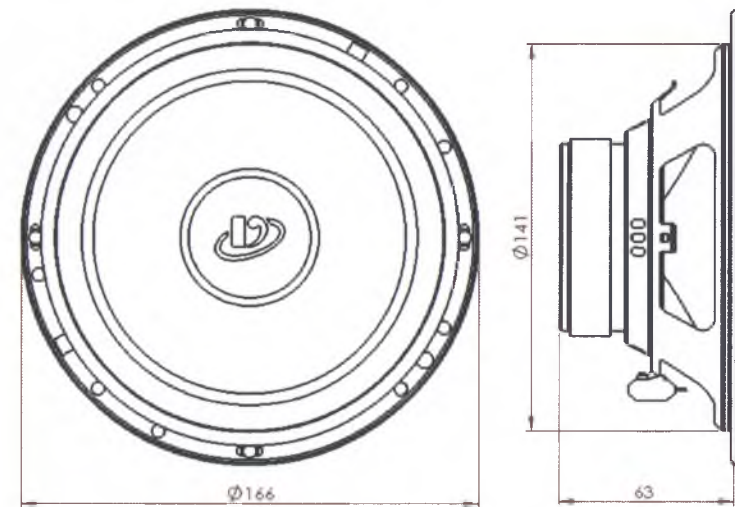
CONTENT

The complete set includes:

- 2 midwoofers with specially coated paper cone
- Owner's manual

SPECIFICATIONS

Woofers	(inch)	6.5
Impedance	(Ohm)	4
Nominal Power	(Watt)	90
Peak Power	(Watt)	110
Frequency Response	(Hz)	55 - 9k
Sensitivity	(dB, 1W/1m)	88
Mounting Depth	(mm)	63
Outside Diameter	(mm)	166
Mounting Diameter	(mm)	141



Woofers drawing